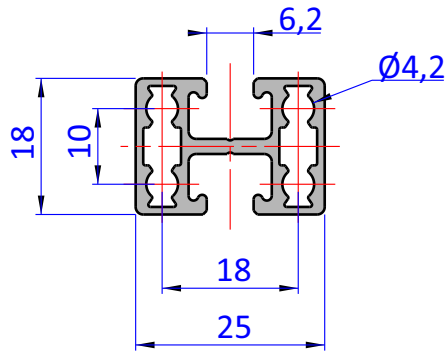
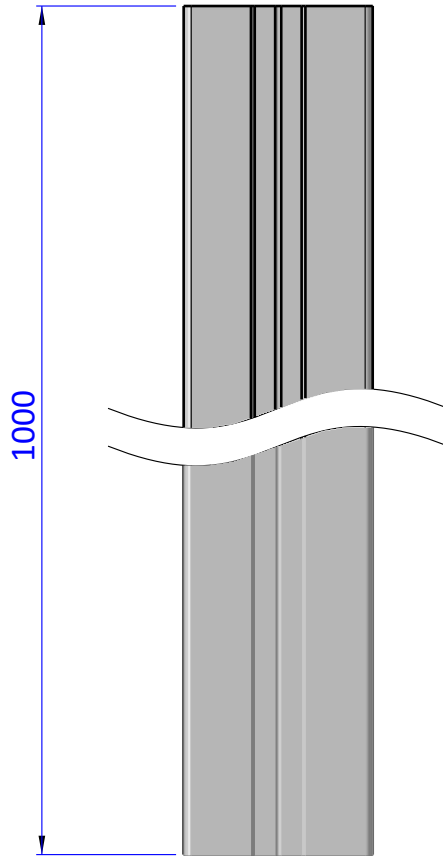


THE PROPERTY OF THE DRAWING IS ESTABLISHED BY LAW. IT IS FORBIDDEN TO PRODUCE OR SHOW IT TO THIRD PART. WITHOUT A WRITTEN AGREEMENT.

Item	Name	Q.ty
1	CA.X.2518.1000	1



Format A4  UNI 936-76	GENERAL TOLERANCE UNI - ISO 2768 CLASSE f	DESCRIPTION  CA.X.2518.1000	DESIGNED FROM FPS Automation	REVIEW A
			DATE 10/03/2020	WEIGHT 0,456kg
			CODE CA.X.2518.1000	